



Bobcat[®]

One Tough Animal

AGILE PRODUCTIVITY

TANDEM ROLLERS ATR12, ATR16 AND ATR20



NEXT
IS NOW.

We invented the compact equipment industry more than 60 years ago. And now we're reinventing it.

Bobcat's construction equipment has always set the standard for durability and reliability. So do our tandem rollers. Our Bobcat tandem rollers are available with off-set or in-line "one-side-free" configuration, making it possible to compact right next to walls and other obstacles. Their compact size makes them the ideal machine for working in cities or other tight spaces.

They are also equipped with our maintenance-free articulation joint and vibratory system, just like our bigger tandem roller models. A 15.6 kW Kubota engine provides the power to tackle all challenges on the job site.

For more information, contact your Bobcat partner – or find out more at: WWW.BOBCAT.COM

THE RIGHT FIT FOR YOUR JOB SITE

- ▶ Equipped with **oscillating articulation joint**
- ▶ **In-line "one-side-free"** or **off-set drums**
- ▶ **Best weight distribution on the market** guarantees continuous ground contact during compaction



In-line "one-side-free" configuration

BUILT TO LAST

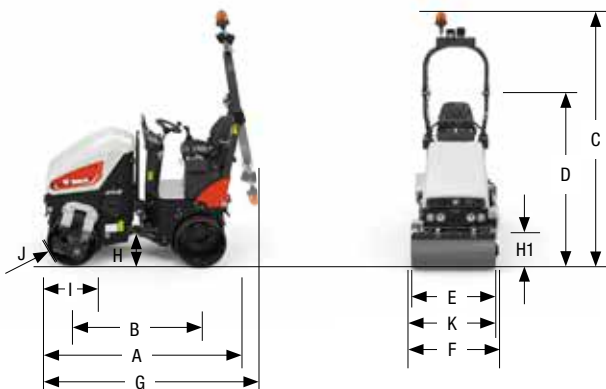
- ▶ **Highest quality** heavy-duty components and protective covers
- ▶ **Maintenance-free** vibratory system and articulation joint
- ▶ **Reduced cost of ownership** and **maximum uptime**

INTUITIVE CONTROLS

- ▶ **Adjustable drive modes** for **superior controllability**
- ▶ Easy-to-understand and **highly intuitive dashboard**
- ▶ Integrated **multifunctional display** communicates all key information to the operator
- ▶ Activation of **vibratory** and **sprinkling system** through ergonomic travel lever

MAXIMUM OPERATOR COMFORT

- ▶ Rubber-mounted operator platform
- ▶ Two programmable **drive modes** (soft drive / hard drive)
- ▶ **All-day operator comfort** and **maximum visibility**



SPECIFICATIONS

	ATR12	ATR16	ATR20
DIMENSIONS			
A Machine length	2 140 mm		
B Wheel base	1 440 mm		
C Machine height	2 400 mm		
D Machine height (folded ROPS)	1 830 mm		
E Drum width	820 mm	900 mm	1 000 mm
F Working width with offset	860 mm	950 mm	1 050 mm
G Machine length (folded ROPS)	2 330 mm		
H Ground clearance	230 mm		
H1 Side clearance	370 mm		
I Drum diameter	580 mm		
J Drum shell thickness	13 mm		
K Machine width (total)	865 mm	947 mm	1 050 mm
WEIGHT AND OPERATING CHARACTERISTICS			
Operating weight CECE	1 460 kg	1 510 kg	1 570 kg
Operating weight max.	1 850 kg		
Static linear load of front drum	8.4 kg/cm	7.9 kg/cm	7.8 kg/cm
Static linear load of rear drum	9.4 kg/cm	9.0 kg/cm	9.6 kg/cm
Turning radius inside	2 100 mm	2 210 mm	2 060 mm
Steering / oscillating angle	30 / 6 ±°		
Drum offset	40 mm	50 mm	50 mm
ENGINE			
Engine	Kubota D1105-EF07 (EU Stage V)		
Engine output (SAE J1995)	15.6 kW (20.9 HP)		
Cylinder / Displacement	3 / 1 123 cm³		
Nominal speed	2 400 / 2 600 RPM		
Travel speed	8.1 km/h	8.1 km/h	8.4 km/h
Gradeability with / without vibration	30% / 35%		
COMPACTION FORCES			
Amplitude I	0.5 mm		
Amplitude II	0.5 mm		
Frequency I	58 Hz		
Frequency II	66 Hz		
Centrifugal force I	19 kN	20 kN	21 kN
Centrifugal force II	22 kN	23 kN	24 kN
MISCELLANEOUS			
Battery / Capacity	12 V / 77 Ah		
Water tank capacity	110 l		
Hydraulic oil tank capacity	28.5 l		
Fuel tank capacity	24 l		

Specifications can change without notice. Specifications for your Bobcat equipment may vary based on variations in design and working conditions.

FIND OUT MORE AT
WWW.BOBCAT.COM



Bobcat®